

Chrome Hand Held Shower and Smooth Hose with 900mm Stainless Steel Grab Rail

SGR023C

Enware's extensive range of commercial and specialist tapware incorporates a range of water efficient handheld shower sets. Suitable for commercial amenities, hospitals, hotels, sporting facilities and public areas

FEATURES

- Chrome plated shower head
- Single spray pattern
- Single hand, adjustable shower head holder
- Polished stainless steel heavy duty grab rail 900mm long
- 1.5m long smooth hose in chrome finish
- Chrome plated wall connection
- AS1428.1-2009/2010 compliant*

OPTIONS *specify when ordering*

- SGR022C – 600mm grabrail
- SGR020C – 300mm grabrail

*Wall outlet must be installed 700mm from finished floor level



Product Codes

SGR023C Includes Elbow & Chrome Plated Adjustable Shower Head Holder

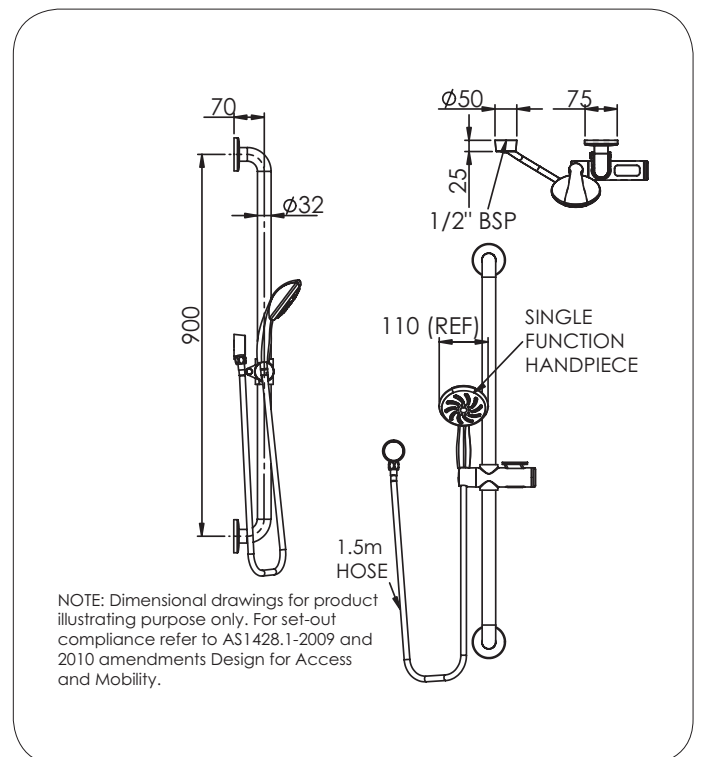
Technical Information

Inlet Connection	1/2" BSP
Maximum Static Pressure	1000 kPa
To Achieve 3 Star WELS	350 - 500 kPa
Recommended Pressure	200 - 500 kPa max (PCA)*
Flow Rate	7.6 l/minute *(3 Star WELS)
Operating Temperature Range	10 - 70°C

*Enware products are to be installed in accordance with the Plumbing Code of Australia (PCA) and AS/NZS3500. Installations not complying with PCA and AS/NZS 3500 may void the product and performance warranty provisions.

All heated water installations for sanitary fixtures used primarily for personal hygiene purposes shall deliver heated water at a temperature not exceeding:

- 45°C for healthcare and aged care buildings, early childhood centres, primary and secondary schools and nursing homes, or similar facilities for the aged, the sick, children, or people with disabilities; and
- 50°C for all other situations (Laundries and kitchen sinks are not required to have heated water at a maximum of 50°C)



Version: May 14

Call 1300 369 273
www.enware.com.au

Enware Australia Pty Limited
9 Endeavour Rd Caringbah NSW 2229 Australia
Ph: +61 2 8556 4000 Fax: +61 2 8556 4055

ENWARE
installing confidence